

## Easy Load Pump Head

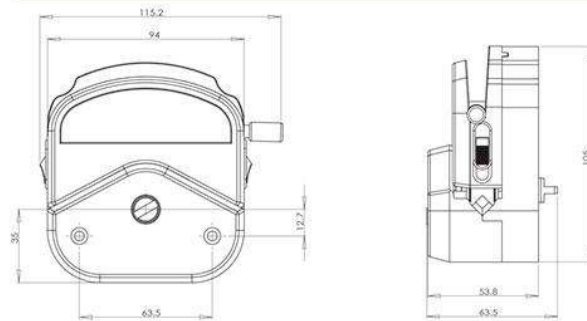
YZ1515x, YZ2515x



### Product Introduction

Change the tubing easily and rapidly; automatic tubing retention; accept 9 sizes tubing to meet different flow rates requests. Two kinds of material housing for customers' selection. PSF (polysulphone material): white, exquisite appearance, good rigidity, high precision, usually used in research laboratory and supporting analytical device. PPS (polyphenylene sulfide material): black, resist organic solvent corrosion, high precision and rigidity, suitable for industry or other bad working conditions. Rollers assembly with 304 stainless steel material resists corrosion with long lifetime.

### Installation Sizes Drawing (Unit: mm)



### Mounting several pump heads can increase the flow rates.



Model Number | YZ1515x, YZ2515x

### Typical Application

- | Support COD on-line monitor.
- | Support anorectal therapeutic instrument.
- | Support biofermentation cylinder.



3 rollers

6 rollers

YZ Series pump head has wide application, and is usually used together with many kinds of analytical instruments. According to the different technical requests, it can adopt different motors to drive, such as stepper motor, DC motor, synchronous motor, AC gear motor, etc. Stack up several pump heads can increase the flow rates.

Pump Head	Tubing	ID×Wall thickness(mm)	mL / r	Flow Rate(mL/min) (0.1-600rpm)	Tubing Max.Pressure(Mpa)		Material/Weight(kg)	
					Intermittent	Continuous	PSF	PPS
YZ1515x	13"	0.8×1.6	0.07	0.007~42	0.27	0.17	0.40 (3 rollers)	0.46 (3 rollers)
	14"	1.6×1.6	0.27	0.027~162				
	19"	2.4×1.6	0.55	0.055~330				
	16"	3.1×1.6	0.82	0.082~492	0.14	0.10	0.44 (6 rollers)	0.50 (6 rollers)
	25"	4.8×1.6	1.7	0.17~1020				
	17"	6.4×1.6	2.9	0.29~1740				
YZ2515x	18"	7.9×1.6	3.8	0.38~2280	0.10	0.07		
	15"	4.8×2.4	1.7	0.17~1020				
	24"	6.4×2.4	2.9	0.29~1740	0.27	0.17		



## Easy Load Pump Head

### YZ35-PPS, YZ35 (Aluminum Alloy)



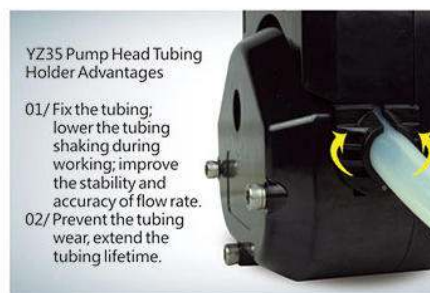
3 rollers

### Product Introduction

YZ35 pump head with aluminum alloy or PPS housing material. 304 stainless steel rollers assembly achieve high precision transferring liquid. Adaptive tubing cartridge structure makes it more easy to load the tubing.

### Model Number

YZ35-PPS, YZ35 (Aluminum Alloy)



26#



73#

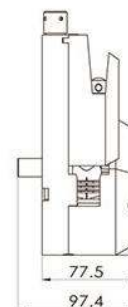
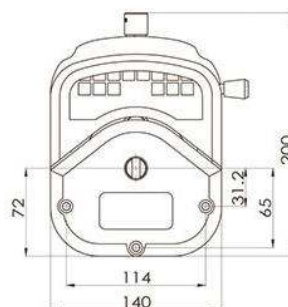


82#

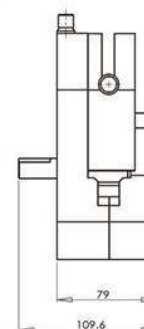
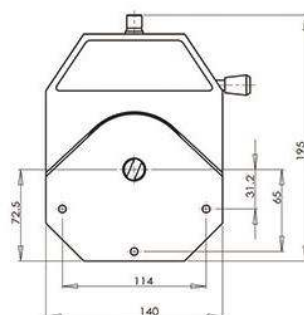


### Installation Sizes Drawing (Unit: mm)

YZ35-PPS



YZ35-Aluminum Alloy



### Technical Specifications

Pump Head	Tubing	ID×Wall Thickness(mm)	mL / r	Flow Rate(mL/min) (0.1-600rpm)	Tubing Max. Pressure(Mpa)		Material/Weight(kg)	
					Intermittent	Continuous	Aluminum Alloy	PPS
YZ35	26#	6.4×3.3	6.9	0.69~4200	0.27	0.20	4.36	1.50
	73#	9.6×3.3	12.3	1.23~7400				
	82#	12.7×3.3	20	2~12000	0.14	0.10		



## Fast Load Pump Head

DZ25-3L, DZ25-6L (Aluminum Alloy)



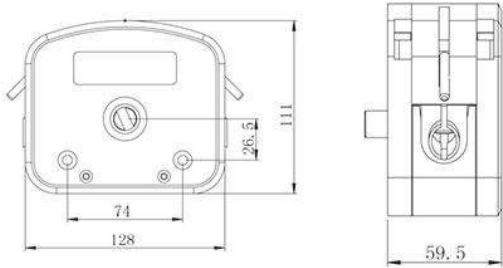
### Product Introduction

Easy operation, change tube rapidly. The housing material is aluminum alloy or PPS (polyphenylene sulfite). 304 stainless steel rollers. DZ25 pump head uses 2.4mm wall thickness tube, the flow rate range is 0.2-6000mL/min. This pump head is suitable for high viscous liquid which includes granule and floc. It is also suitable for high pressure request. New cartridge structure design, can use the special connector, connect low cost tubing outside the pump head to save cost; also can use flexible tube card, meet hygiene requirement.

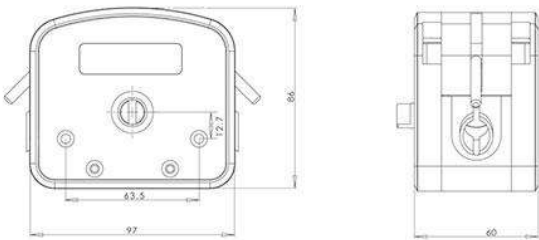
### Model Number

DZ25-3L, DZ25-6L (Aluminum Alloy)

### Installation Sizes Drawing (Unit: mm)



DZ25-6L Dimension



DZ25-3L Dimension

### Tubing Installation Procedure

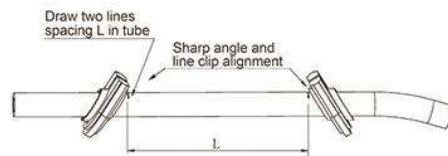
1. Lift both side levers, take off the upper block.



2. Put the tubing with cartridge or connector into pump housing.



3. Install the upper block, put down the levers to lock the block.



### Tubing Clamp

DZ25-6L: the tubing length is 125mm between both tubing clamps.  
DZ25-3L: the tubing length is 90mm between both tubing clamps.

Model No.	Housing Material	Tubing Clamp Material	Tubing		Flow Rate (mL/min) (0.1-600rpm)	Weight (kg)
			Tubing Sizes	ID×Wall Thickness		
DZ25-6L	Aluminum alloy	PP	15"	4.8×2.4(mm)	0.3~1800	1.86
			24"	6.4×2.4(mm)	0.55~3300	
			35"	7.9×2.4(mm)	0.8~4800	
			36"	9.6×2.4(mm)	1~6000	
DZ25-3L	PPS/PSF	PP	15"	4.8×2.4(mm)	0.211~1264	1.16/0.5
			24"	6.4×2.4(mm)	0.385~2310	
			35"	7.9×2.4(mm)	0.508~3050	
			36"	9.6×2.4(mm)	0.6~3600	



## Low Pulsation Pump Head

DY15, DY25



### Product Introduction

The 'low pulsation' pump head is specialized for high precision filling. Through the phase difference between the two sets of rollers, make the pulse crest and trough complementary, reducing the fluid pulsation effectively, reach high precision liquid transferring.

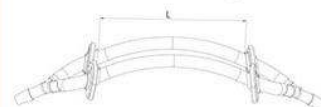
### Model Number

| DY15, DY25

### Typical Application

High precision dosing micro liquid.

"Y" connector and tubing cartridge schematic diagram  
The tubing length is 126mm between two cartridges



### Tubing Installation Procedure

1. Lift both side levers, take off the upper block.



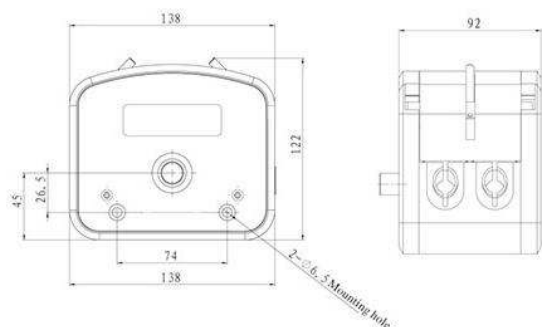
2. Put the tubing with tubing clamp into pump housing.



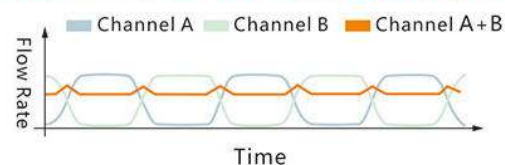
3. Install the upper block, put down the levers to lock the block.



### Installation Sizes Drawing (Unit: mm)



### Pulsation Reduction Schematic Diagram



### Technical Specifications

Model No.	Housing Material	Tubing Clamp Material	Tubing		Flow Rate (mL/min) (0.1-350rpm)	Weight (kg)
			Tubing Sizes	ID×Wall Thickness		
DY15	Aluminum alloy	PP	13"	0.8×1.6(mm)	0.01~48	3.2
			14"	1.6×1.6(mm)	0.06~223	
			19"	2.4×1.6(mm)	0.13~448	
			16"	3.1×1.6(mm)	0.2~723	
			25"	4.8×1.6(mm)	0.47~1626	
			17"	6.4×1.6(mm)	0.64~2230	
DY25	Aluminum alloy	PP	15"	4.8×2.4(mm)	0.42~1480	
			24"	6.4×2.4(mm)	0.76~2670	
			35"	7.9×2.4(mm)	0.1~360	
			36"	9.6×2.4(mm)	1.24~4340	



## Planetary Gear Industrial Pump Head

DZ45



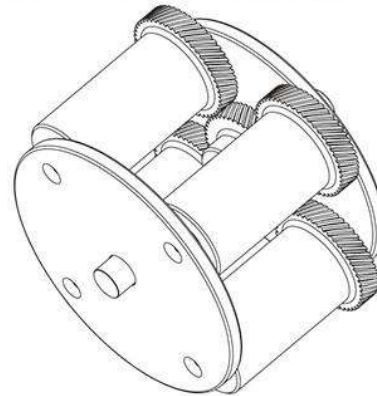
### Product Introduction

Planetary gear industrial pump head use aluminum alloy shell, 304 stainless steel rollers, long lifetime, corrosion resistance; four rollers design to reduce pulsation; planetary gear rollers, driven type rotor, spring lock block; big flow rate, high pressure, suitable for transfer high viscous and high lift liquid.

### Model Number

| DZ45

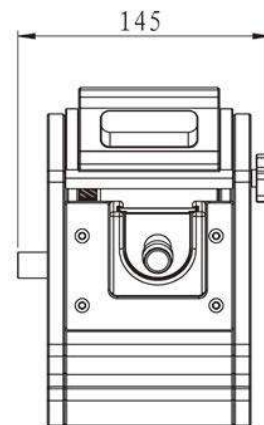
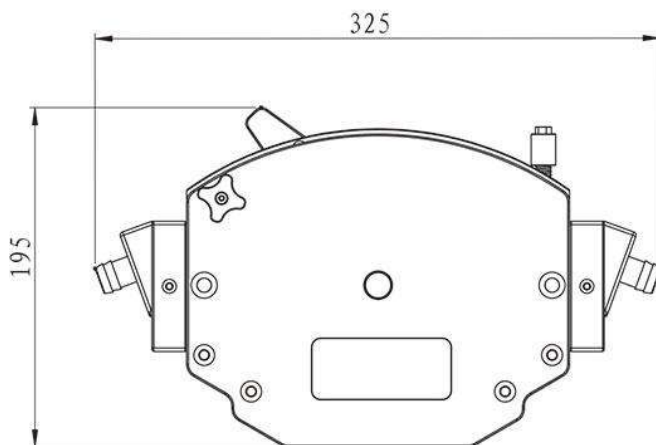
### Roller Components Graph



### Typical Application

- | Bio-medical
- | Chemical industry
- | Environmental protection

### Dimension Drawing (Unit: mm)



### Product Composition and Flow Rate Range

Pump Head	Shell Material	Roller Material	Tubing		Speed (rpm)	Flow Rate (L/min)	Tubing Max. Pressure(Mpa)		Weight
			Size	ID*Wall thickness (mm)			Continuous	Intermittent	
DZ45	Aluminum alloy	304	88#	12.7*4.8	30-300	2.6-26	0.25	0.3	9.3kg
			92#	25.4*4.8		3.6-36			



## Standard Pump Head

SN25,SN15-14,SN15-16



### Product Introduction

Standard pump head with compact structure, exquisite appearance, fixed occlusion and stable running. Can stack several pump heads, and support various equipment.

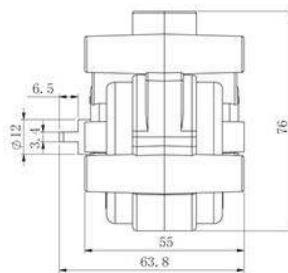
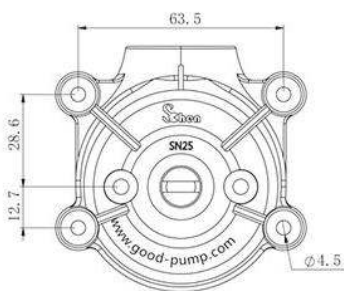
### Model Number

| SN25, SN15-14, SN15-16

### Typical Application

| Use in the ice cream machine and coffee making machine  
| Support COD on-line monitor

## Installation Sizes Drawing (Unit: mm)



SN15-14



SN15-16

## Tubing Installation Procedure

A. Disassemble the pump head, and press the tubing on the rollers.



B. Make the tubing go around the rollers one cycle, and merge it on the exit.



C. Tighten the tubing aptly, and load the other half pump head body.



## Technical Specifications

Model No.	Housing Material	Rollers Material	Tubing		Flow Rate (mL/min) (0.1-600rpm)	Weight (kg)
			Tubing sizes	ID×Wall thickness		
SN15-14	PC	304 stainless steel	14"	1.6×1.6(mm)	0.024~144	0.20
SN15-16			16"	3.1×1.6(mm)	0.088~528	
SN25			24"	6.4×2.4(mm)	0.25~1500	



## OEM Product



### UD15



### Product Introduction

PES material, transparent protecting cover, easily to observe the working situation of pump head and tubing at any time. Various of colors are available.

There is water-proof groove in the pump head mounting side.

Can use stepper motor, DC motor, AC motor and so on to drive.

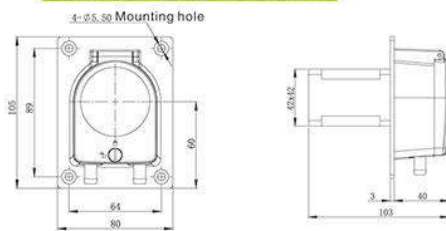
### Typical Application

Support various of instrument

### Stepper Motor



#### Outline dimensional drawing

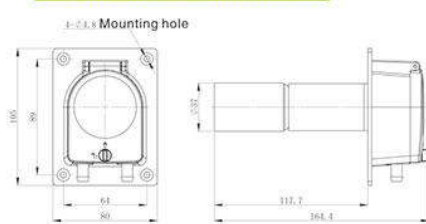


Model No.	OEM-UD15B01
Speed range	≤350rpm
Max. flow rate	1000mL
Motor type	42 Stepper motor
Motor phase number	2
Motor step angle	1.8°
Motor phase voltage	3V
Motor phase current	3A

### DC Motor



#### Outline dimensional drawing

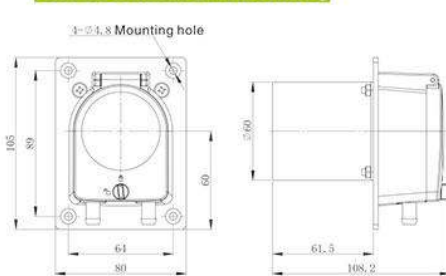


Model No.	Speed (rpm)	Power Supply	Motor Type
OEM-UD15Z01	60	DC12V/DC24V	φ 37 DC planetary gear motor
OEM-UD15Z02	100		
OEM-UD15Z03	150		
OEM-UD15Z04	200		
OEM-UD15Z05	300		
OEM-UD15Z06	350		

### AC Motor



#### Outline dimensional drawing



Model No.	Speed (rpm)	Power Supply	Motor Type
OEM-UD15J01	2.5	AC110V /AC220V	AC synchronous motor
OEM-UD15J02	5		
OEM-UD15J03	10		
OEM-UD15J04	15		
OEM-UD15J05	20		
OEM-UD15J06	30		
OEM-UD15J07	40		
OEM-UD15J08	50		
OEM-UD15J09	60		

### Tubing Installation Procedure

1. As below picture, turn the holding pin to unlocking position



2. Open the transparent cover



3. Install the tubing



4. Close the transparent cover, and turn the holding pin to unlocking position



### Technical Specifications

Model No.	Housing Material		Tubing		Speed Range(rpm)	Flow Rate (mL/min)	Weight (kg)
	Body	Protective cover	Tubing Sizes	ID×Wall Thickness			
UD15	PES	Transparent PC	16"	3.1×1.6(mm)	0.1~350	0.08~280	0.12
			25"	4.8×1.6(mm)		0.16~580	
			17"	6.4×1.6(mm)		0.30~1000	



# OEM Product

## UC15

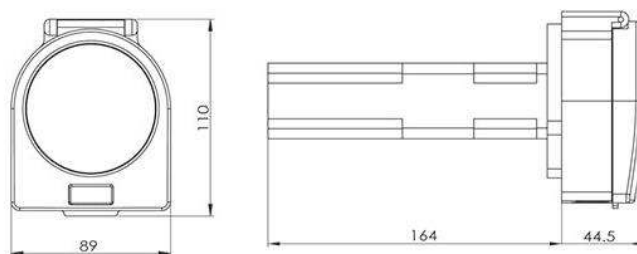
### Product Introduction

UC15 spring pump head is widely used for medical dialysis equipment. Transparent protective cover, can observe the working situation anytime; uncover signal output, stop working when uncover to ensure safety; Elastic roller assembly, running smoothly; manual lever help install the tube, and can finish liquid circulation when power down unexpectedly; support stepper motor or brushless DC motor.



### Installation Sizes Drawing (Unit: mm)

Support brushless DC motor



### Tubing Installation Procedure



1. Press the pipe clamp, put the tube into the U shaped groove.



2. Put the tube between the two guide posts. Hold the spanner, rotate the wheel body.

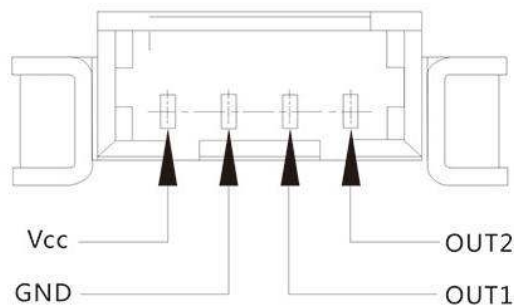


3. Press the pipe clamp, put the tube into the U shaped groove.



4. Installation is finished.

### Uncover output signal description



### Motor Data

Speed range	0.1-200 rpm	Motor type	Stepper motor
Speed resolution	0.1 rpm	Output signal	Uncover signal (Active signal DC12V)

### Technical Specifications

Model	Housing Material	Tubing		Speed Range(rpm)	Flow Rate (mL/min)	Weight(kg)
		Size	ID×Wall(mm)			
UC15	Aluminum alloy /PC	19#	2.4×1.6	0.1-200	0.08~183	0.5
		16#	3.1×1.6		0.15~320	
		25#	4.8×1.6		1.1~699	
		17#	6.4×1.6		2~1270	
		18#	7.9×1.6		2.8~1719	
		Medical dialysis tube		0.1-60	0.86~500	





OEM Product

MiniPump Series



Product Introduction

Minipump series products which adopt compact and embedded design are more suitable for supporting a variety of instruments and equipments. Single and dual channel are optional. It accepts 8 kinds of tubing. Flow rates are 0.0024-190 mL/min. PharMed BPT long-life tubing from French Saint-Gobain is installed in internal part of pump head. Applicable motors for Minipump are stepper motor, DC motor, AC motor and other modes to drive with wide applications.

Features

- | Attractive appearance, compact structure.
- | Easy to operate and economical cost.
- | Accept many kinds of motors to drive.
- | Supply several colors of appearance, ideal for supporting analytical instruments.

Typical Application

- | Discharge condensate water in the flue gases survey meter.
- | Support biochemistry analytical instruments.

Tubing Installation Procedure

A. Make the two tubing clamps align the slide way of pump head two sides.



B. Ensure that the tubing is in the middle of rollers, and push the clamps into the pump head.



C. Make the compression block align the upper slide way of pump head.



D. Press the compression block into the pump head, and ensure it fixed.



Pigment accurate allocation



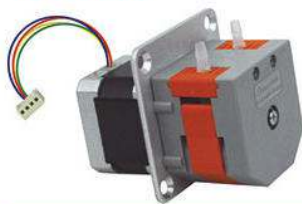
Reagents dispensing



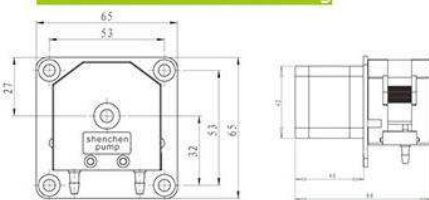
PH control system sampling



**OEM-B01**



**Outline dimensional drawing**

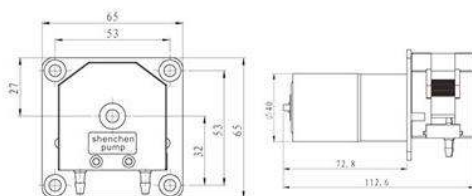


Speed range	≤300 rpm
Max flow rate	190mL/min
Motor type	42 stepper motor
Motor phase number	2
Motor step angle	1.8
Motor phase voltage	2.2V
Motor phase current	1.0A

**OEM-MZ Serie**



**Outline dimensional drawing**

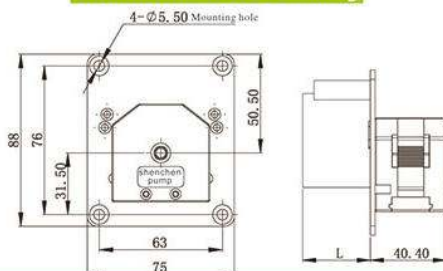


Model No.	Rotation Speed (rpm)	Power Supply	Motor Type
OEM-MZ01	170	DC 12V or DC 24V	∅ 37 DC Motor
OEM-MZ11	5		
OEM-MZ12	10		
OEM-MZ13	15		
OEM-MZ14	20		
OEM-MZ15	30		
OEM-MZ16	50		
OEM-MZ17	100		
OEM-MZ18	160		
OEM-MZ19	167		
OEM-MZ20	278		

**OEM-MJ Serie**



**Outline dimensional drawing**



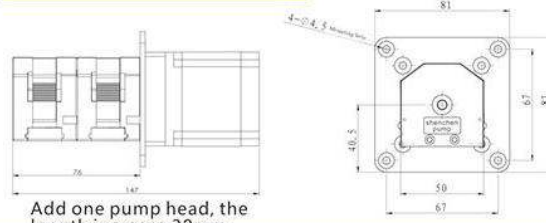
Model No.	Rotation Speed (rpm)	Direction of rotation	Power Supply	Motor Type
OEM-MJ101	2.5/3	Unidirectional	AC 110V or AC 220V	AC Motor
OEM-MJ102	4/5			
OEM-MJ103	5/6			
OEM-MJ201	4.2/5	Bidirectional		
OEM-MJ202	5/6			
OEM-MJ203	11.7/14			

Note: In the rotation of speed, '/' represents the rotation speed in 50/60HZ.

**OEM-B126**



**Outline dimensional drawing**



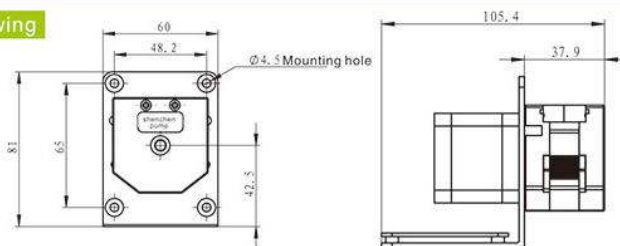
Add one pump head, the length increase 38mm

Speed range	≤300 rpm
Max flow rate	190mL/min
Pump head	MiniPump-N
Motor type	57 stepper motor
Motor phase number	2
Motor step angle	1.8
Motor phase voltage	3.75V
Motor phase current	3.0A

**OEM-B013, OEM-B014**



**Outline dimensional drawing**



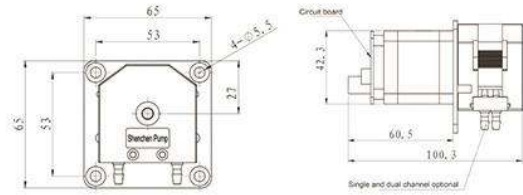
OEM-B013 Technical Specifications		OEM-B014 Technical Specifications	
Speed range	0.1-300rpm	Speed range	0.1-300rpm
Flow rate range	0.0024-190ml/min	Flow rate range	0.12-190ml/min
Communication interface	RS232,RS485 interface modbus protocol, control start/stop, direction and speed	Speed control	Potentiometer speed regulation
Address setting	1-32	External analog signal control	0-5V, 0-10V, 4-20mA 3 analog signal for option
Motor type	42 stepper motor	External control	Start/stop,direction (external passive signal control)
Input voltage	DC 24V	Motor type	42 stepper motor
Power	< 30W	Input voltage	DC 24V
		Power	< 30W



OEM-B02、OEM-B03



Outline dimensional drawing

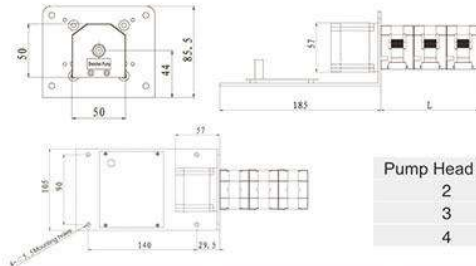


OEM-B02 Technical Specification		OEM-B022 Technical Specification		OEM-B03 Technical Specification	
Speed range	0.1-300 rpm	Speed range	0.1-300 rpm	Speed range	0.1-300 rpm
Flow rate range	0.0024-190mL/min	Flow rate range	0.0024-190mL/min	Flow rate range	0.0024-190mL/min
Speed control	Preset speed or RS232 speed control	Speed control	Adjust speed by internal potentiometer	Speed control	External input pulse frequency speed control
Subdivision settings	1/16	Subdivision settings	1/16	Multiple segments	1/16(recommend), 1, 1/2, 1/4, 1/8, 1/32, 1/64, 1/128
Motor type	42 stepper motor	Motor type	42 stepper motor	Motor type	42 stepper motor
Input voltage	DC 24V	Input voltage	DC 24V	Input voltage	DC 24V
Power	< 24W	Power	< 24W	Power	< 24W

OEM-B136、OEM-B137



Outline dimensional drawing



Pump Head NO.	L
2	75.6
3	113.4
4	151.2

OEM-B136 Technical Specifications		OEM-B137 Technical Specifications	
Speed range	0.1-300 rpm	Speed range	0.1-300 rpm
Flow rate range	0.0024-190mL/min	Flow rate range	0.0024-190mL/min
Speed control	Preset speed and manual control	Speed control	Pulse frequency speed control
Control mode	External passive signal level (normally closed or open) mode; control the start/stop of direction	Logic input voltage	5V, 12V, 24V(default 5V)
Display(optional)	0.96" OLED screen	Multiple segments	1/16(recommend), 1, 1/2, 1/4, 1/8, 1/32, 1/64, 1/128
Motor type	57 stepper motor	Motor type	57 stepper motor
Input voltage	DC 24V	Input voltage	DC 24V
Power	< 60W	Power	< 60W

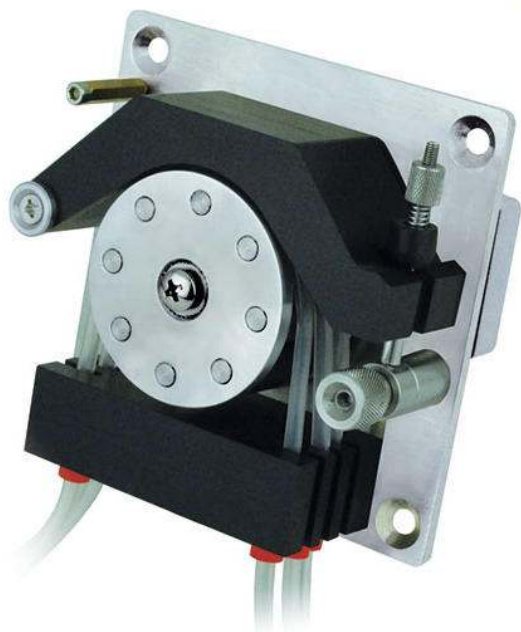
Motor Speed(rpm)	Dual Channel Flow Rate (mL/min) and Tubing (1 mm wall thickness)			
	ID 1mm	ID 2mm	ID 2.5mm	ID 3mm
5	0.25	0.90	1.28	1.78
10	0.49	1.84	2.59	3.52
15	0.74	2.76	3.85	5.30
25	1.25	4.57	6.43	8.80
40	2.00	7.31	10.25	14.02
50	2.52	9.14	12.78	17.47
75	3.76	13.64	19.04	26.12
100	5.03	18.17	25.42	35.34
200	10.12	36.45	51.27	71.44
250	12.63	45.75	64.34	88.35
300	15.01	54.63	76.84	108.39

Motor Speed(rpm)	Single Channel Flow Rate (mL/min) and Tubing (1.6 mm wall thickness)			
	13" ID 0.8mm	14" ID 1.6mm	16" ID 3.1mm	25" ID 4.8mm
5	0.12	0.56	1.97	3.26
10	0.26	1.15	3.90	6.41
15	0.39	1.74	5.80	9.52
25	0.66	2.88	9.59	15.74
40	1.08	4.59	15.29	25.15
50	1.34	5.69	18.96	31.14
75	2.00	8.54	28.36	46.55
100	2.73	11.37	37.66	61.98
200	5.46	22.76	76.02	124.14
250	6.81	28.40	95.08	153.63
300	8.28	33.88	114.31	190.00



## OEM Product

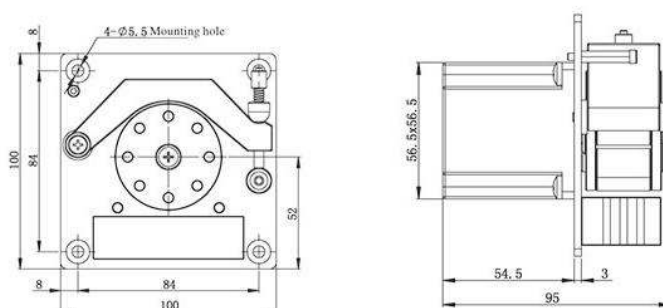
### MD3



### Product Introduction

Suitable for liquid transferring of small flow rate and multiple channels. Complete compression block design, can improve the accuracy among channels effectively; with the function of micro adjustment occlusion, to micro adjust the flow rate and outlet pressure. Eight rollers design, reduce the liquid pulsation; embedded design, very suitable for equipment supporting.

### Installation Sizes Drawing (Unit: mm)



Model Number | MD3

Typical Application | Support analytical instruments

## Tubing Installation Procedure



1. Turn the spanner clockwise.



2. Install tubing one by one, from inside to outside.



3. Tubing installation finished.



4. Turn spanner anticlockwise, locking the upper block, micro adjust the occlusion.

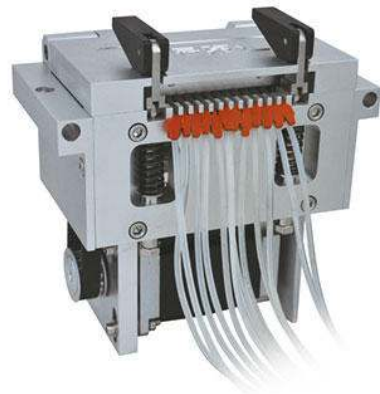
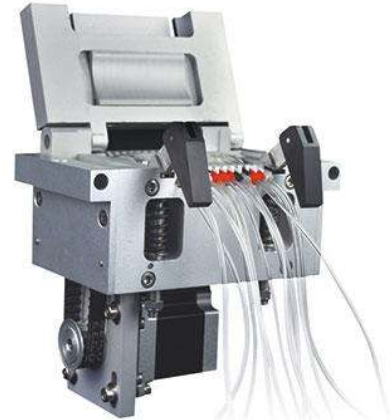
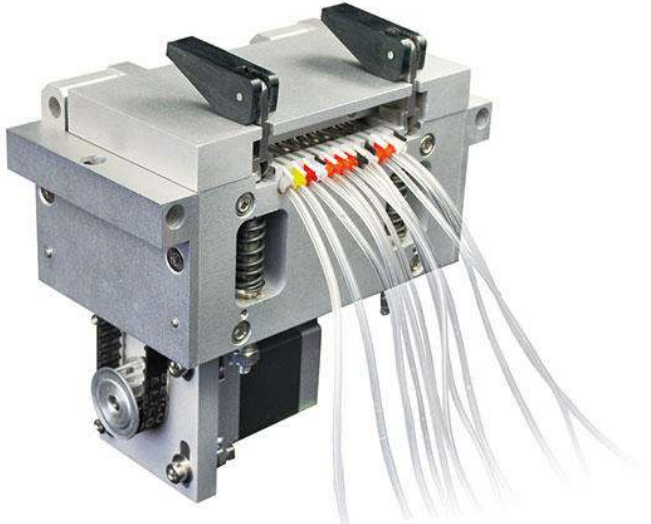
## Technical Specifications

Pump Head	Channel Number	Speed	Tubing	Flow Rate (0.1-300rpm)	Rollers Number	Rollers Material	Tubing Maximum Pressure (Mpa)	
MD3	3	0.1-300 (rpm)	1×1	0.007-20.95 mL/min (each channel)	8 rollers	POM	Intermittent 0.1	Continuous 0.1
			2×1	0.0244-74mL/min (each channel)				
			2.79×0.86	0.0356-107mL/min (each channel)				

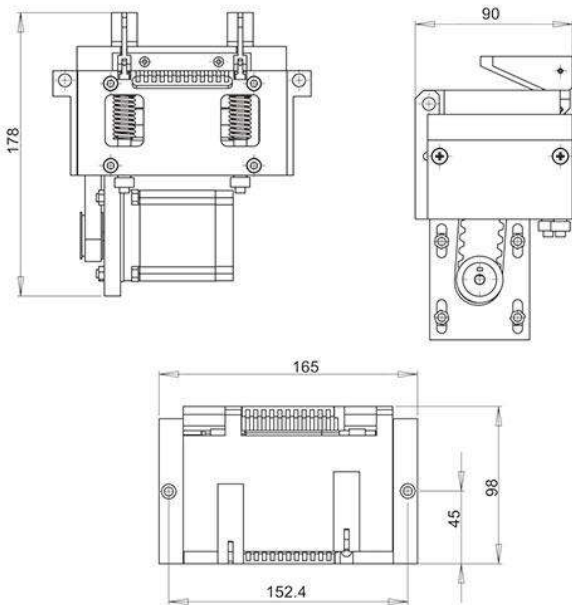


OEM Product

MT12



Installation Sizes Drawing (Unit: mm)



Product Introduction

The unique complete compression solve the big error problem between channels from traditional multichannel pump.

Accept many kinds of motors drive, such as stepper motor, DC motor, AC motor and servo motor.

Model Number

MT12

Typical Application

Support chemistry analytical instruments


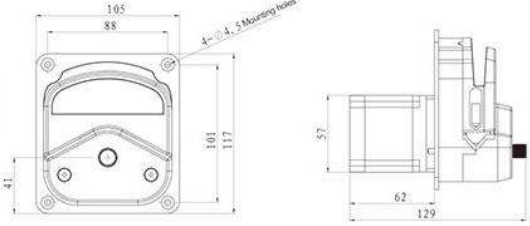

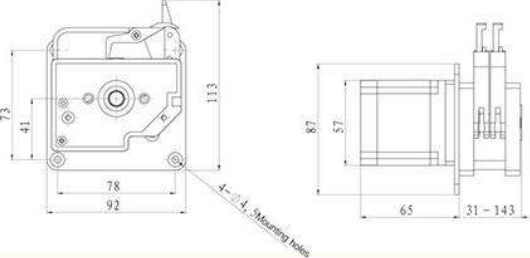

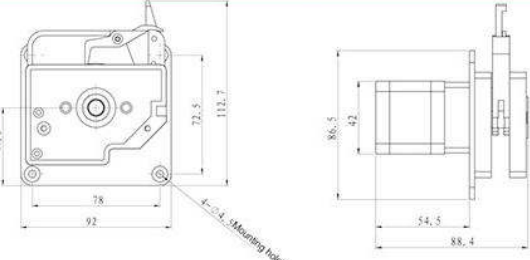

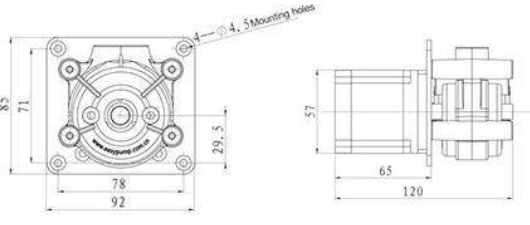
Technical Specifications

Model No.	Housing Material	Rollers Material	Channel Number	Rollers Number	Speed (rpm)	Tubing and Flow Rate per channel (mL/min)				Tubing Maximum Pressure (Mpa)	
						0.51×0.9	1.02×0.86	2.06×0.86	2.54×0.86	Intermittent	Continuous
MT12	Aluminum alloy	304/316 stainless steel	12 channels	10 rollers	0.1-50	0.0016~0.84	0.005~2.5	0.015~7.5	0.020~10.5	0.2	0.15



## OEM Product

### OEM-B130 ( Compact Type)

 <p>57 stepper motor</p>	<p>Outline dimensional drawing</p> 
 <p>57 stepper motor</p>	<p>Outline dimensional drawing</p> 
 <p>42 stepper motor</p>	<p>Outline dimensional drawing</p> 
 <p>57 stepper motor</p>	<p>Outline dimensional drawing</p> 

Speed range	≤350 rpm
Max flow rate	1330mL/min
Motor type	57 stepper motor/42 stepper motor
Motor phase number	2
Motor step angle	1.8°
Motor phase voltage	3.75V
Motor phase current	3.0A

### Tubing & Flow Rate

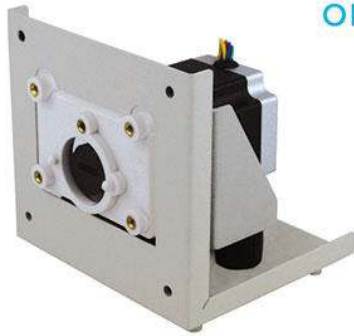
Pump Head	Tubing	Flow Rate ( mL/min )
YZ1515x	13" , 14" , 19" , 16" , 25" , 17" , 18"	≤1330
YZ2515x	15" , 24"	≤1015
MC1-MC8	ID : 0.13-3.17mm Wall thickness : 0.8-1mm	≤49(10 roller) , ≤65(6 roller)
SN Series	14" , 16" , 24"	≤875



OEM Product

OEM-B19 Series

Suitable Pump Head



MC1 ~ MC8

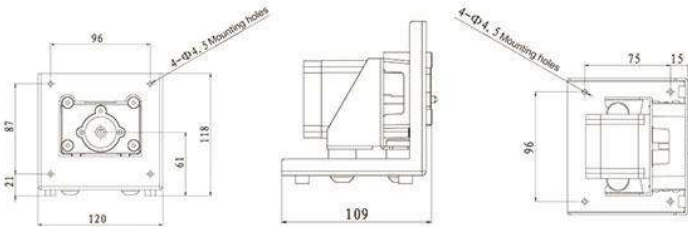


Yz1515x, YZ2515x



Sn15, SN25

Outline dimensional drawing

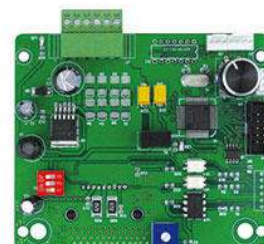
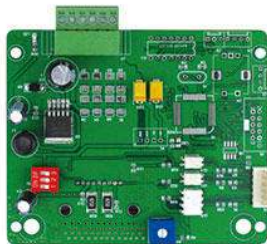


Speed range	≤350 rpm
Max flow rate	1330mL/min
Motor type	57 stepper motor
Motor phase number	2
Motor step angle	1.8°
Motor phase voltage	3.75V
Motor phase current	3.0A

Tubing&Flow rate

Pump Head	Tubing	Flow Rate ( mL/min )
YZ1515x	13", 14", 19", 16", 25", 17", 18"	≤1330
YZ2515x	15", 24"	≤1015
MC1-MC8	ID : 0.13-3.17mm Wall thickness : 0.8-1mm	≤32(10 rollers), ≤45(6 rollers)
SN Series	14", 16", 24"	≤875

User driven / speed type control board



PD03 Main board technical specification

Speed range	0.1-350 rpm
Speed control	Pulse frequency speed control
Logic input voltage	5V, 12V, 24V(default 5V)
Multiple segments	1/16(recommend), 1, 1/2, 1/4, 1/8, 1/32 1/64, 1/128
Input voltage	DC 24V
Power	< 60W
Dimension (L*W)	98.48×82.68 mm

PMD07 Main board technical specification

Speed range	0.1-350 rpm
Speed control	Preset speed or manual control
Control mode	External passive signal level (normally closed or open) mode; control the start/stop and direction
Display(optional)	0.96" OLED screen
Input voltage	DC 24V
Power	< 60W
Dimension (L*W)	98.48×82.68 mm



# OEM Product



## OEM Drive



MC1~MC8



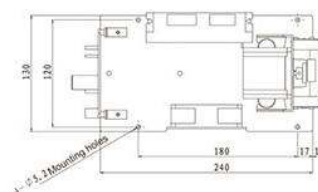
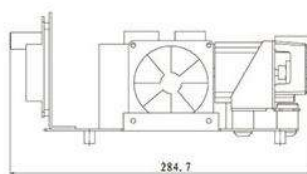
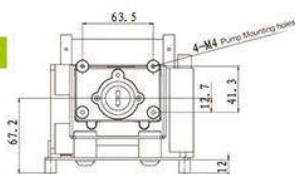
YZ1515x, YZ2515x

## Suitable Pump Head



SN15, SN25

## Outline dimensional drawing



PM01 Mainboard technical specification		PM02 Mainboard technical specification	
Speed range	0.1-600 rpm(optional)	Speed range	0.1-600 rpm(optional)
Flow rate range	0.000166-2280mL/min	Flow rate range	0.000067-2280mL/min
Speed resolution	0.1rpm	Speed resolution	0.1rpm
Display	0.96" OLED screen(optional)	Display	0.96" OLED screen(optional)
Speed control	Preset speed or membrane keypad speed control (optional)	Speed control	Preset speed or membrane keypad speed control (optional)
Control mode	membrane keypad	Control mode	Toggle switch
External control	Start/stop,change direction signal ;Active switch signal: 5V (standard)	External control	Start/stop;Active switch signal: 5V (standard)
Communication interface	RS485 support Modbus protocol (RTU mode)	Communication interface	RS485 support Modbus protocol (RTU mode)
External control speed	0-5V,0-10V,4-20mA(optional)	External control speed	0-5V,0-10V,4-20mA(optional)
Motor type	57 stepper motor	Motor type	57 stepper motor
Input voltage	24V	Input voltage	24V
Power	< 60W	Power	< 60W

## Tubing&Flow rate

OEM Drive	Tubing	Pump Head & Flow Rate (mL/min)						
		YZ1515x	YZ2515x	MC1~MC12(10)	MC1~MC12(6)	SN25	SN15-14	SN15-16
OEM Number (main board)&rotation speed		13', 14', 19', 16' 25', 17', 18'	15', 24'	Inner diameter: 0.13-3.17mm Wall thickness: 0.86-1mm		24'	14'	16'
OEM-B145(PM01)	0.1-150rpm	0.007~570	0.17~435	0.000166-49 (suggest working rotating speed ≤150rpm)	0.000185-65 (suggest working rotating speed ≤150rpm)	0.25~375	0.024~36	0.088~132
OEM-B147(PM02)								
OEM-B146(PM01)	0.1-350rpm	0.007~1330	0.17~1015					
OEM-B148(PM02)								
OEM-B221(PM01)	0.1-600rpm	0.007~2280	0.17~1740			0.25~1500	0.024~144	0.088~528
OEM-B222(PM02)								





OEM Product



OEM-Z Series



MC1 ~ MC12



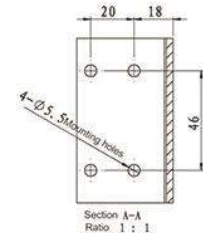
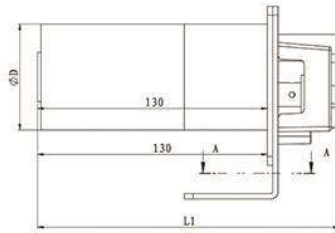
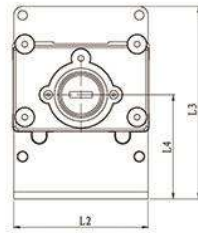
YZ1515x, YZ2515x



SN15, SN25

Suitable Pump Head

Outline dimensional drawing



Product Model	Install Method	Speed(rpm)	Speed Error	Suitable Power	Motor Type	Work Environment
OEM-Z101	L shape connection plate	60	±10%	DC 12V/15W	Ø 60 DC geared motor	0-40°C
OEM-Z102	L shape connection plate	100				
OEM-Z103	L shape connection plate	166				
OEM-Z104	L shape connection plate	200				
OEM-Z105	L shape connection plate	240				
OEM-Z106	L shape connection plate	333				
OEM-Z107	L shape connection plate	400				
OEM-Z108	L shape connection plate	500				
OEM-Z109	L shape connection plate	600				
OEM-Z110	—	60				
OEM-Z111	L shape connection plate	60	±10%	DC 12V/25W	Ø 70 DC geared motor	
OEM-Z112	L shape connection plate	100				
OEM-Z113	L shape connection plate	166				
OEM-Z114	L shape connection plate	200				
OEM-Z115	L shape connection plate	240				
OEM-Z116	L shape connection plate	333				
OEM-Z117	L shape connection plate	400				
OEM-Z118	L shape connection plate	500				
OEM-Z119	L shape connection plate	600				
OEM-Z201	L shape connection plate	60	±10%	DC 24V/25W	Ø 60 DC motor	
OEM-Z202	L shape connection plate	100				
OEM-Z203	L shape connection plate	150				
OEM-Z204	L shape connection plate	200				
OEM-Z205	L shape connection plate	300				
OEM-Z206	L shape connection plate	450				
OEM-Z207	L shape connection plate	500				
OEM-Z208	L shape connection plate	600				
OEM-Z211	L shape connection plate	60				
OEM-Z212	L shape connection plate	100				
OEM-Z213	L shape connection plate	150				
OEM-Z214	L shape connection plate	200				
OEM-Z215	L shape connection plate	300				
OEM-Z216	L shape connection plate	450				
OEM-Z217	L shape connection plate	500				
OEM-Z218	L shape connection plate	600				
OEM-Z301	L shape connection plate	600	±10%	DC 24V/30W	Ø 60 DC motor	
OEM-Z401	L shape connection plate	500	±10%	DC 24V/40W	Ø 80 DC motor	

Tubing & Flow Rate

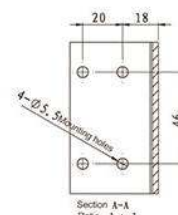
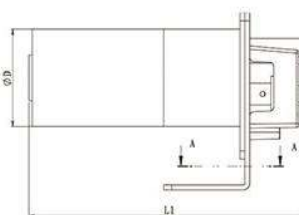
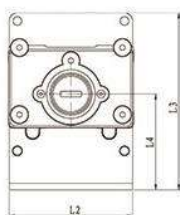
Pump Head	Tubing	Flow Rate ( mL/min )
YZ1515x	13", 14", 19", 16", 25", 17", 18"	< 2280
YZ2515x	15", 24"	< 1740
MC	ID : 0.13-3.17mm Wall thickness : 0.86-1mm	< 45
SN Series	14", 16", 24"	< 1500



# OEM Product

## OEM-J Series

### Outline dimensional drawing(Unit: mm)



### Suitable Pump Head



MC1 ~ MC12



YZ1515x, YZ2515x



SN15, SN25



DZ25-3L



DZ25-6L

## OEM-J

Product Model	Install Method	Speed (rpm)	Speed Error	Suitable Power	Motor Type	Work Environment
OEM-J01	L shape connection plate	60	±10%	AC 220V/10W	∅ 60 AC geared motor	0-40°C
OEM-J02	L shape connection plate	100				
OEM-J03	L shape connection plate	166				
OEM-J04	L shape connection plate	200				
OEM-J05	L shape connection plate	300	±10%	AC 220V/15W	∅ 70 AC geared motor	
OEM-J06	L shape connection plate	417				
OEM-J08	L shape connection plate	60				
OEM-J09	L shape connection plate	100				
OEM-J10	L shape connection plate	166	±10%	AC 220V/25W	∅ 80 AC geared motor	
OEM-J011	L shape connection plate	200				
OEM-J012	L shape connection plate	300				
OEM-J013	L shape connection plate	417				
OEM-J015	L shape connection plate	60	±10%	AC 220V/60W	∅ 90 AC geared motor	
OEM-J016	L shape connection plate	120				
OEM-J017	L shape connection plate	300				
OEM-J018	L shape connection plate	500				
OEM-J019	L shape connection plate	60	±10%	AC 220V/60W	∅ 90 AC geared motor	
OEM-J020	L shape connection plate	120				
OEM-J021	L shape connection plate	300				
OEM-J022	L shape connection plate	500				

## OEM-JT

Product Model	Install Method	Speed Range(rpm)	Speed Error	Suitable Power	Motor Type	Work Environment
OEM-JT01	L shape connection plate	0~60	±10%	AC 220V/15W	∅ 70 AC geared motor	0-40°C
OEM-JT02	L shape connection plate	0~120				
OEM-JT03	L shape connection plate	0~300				
OEM-JT04	L shape connection plate	0~500				
OEM-JT05	L shape connection plate	0~60	±10%	AC 220V/25W	∅ 80 AC geared motor	
OEM-JT06	L shape connection plate	0~120				
OEM-JT07	L shape connection plate	0~300				
OEM-JT08	L shape connection plate	0~500				
OEM-JT09	L shape connection plate	0~60	±10%	AC 220V/60W	∅ 90 AC geared motor	
OEM-JT10	L shape connection plate	0~120				
OEM-JT11	L shape connection plate	0~300				
OEM-JT12	L shape connection plate	0~500				

## Tubing & Flow Rate

Pump Head	Tubing	Flow Rate ( mL/min )
YZ1515x	13", 14", 19", 16", 25", 17", 18"	< 1900
YZ2515x	15", 24"	< 1450
MC	ID : 0.13-3.17mm Wall thickness : 0.8-1mm	< 45
SN Series	14", 16", 24"	< 1250
DZ25-3L	15", 24", 35", 36"	< 3000
DZ25-6L	15", 24", 35", 36"	< 5000

